**VEHICLE TYPE**

RENAULT-DAF

**TRANSMISSION CODE**

8.AP.600-800-1000-1200

This side-mounted PTO transmission has a single two-axis output. Meeting It is done in the main transmission. PTO gear from main transmission It transfers the movement it receives through the gears in the gearbox. It transmits it to the output proportionally. Equipment outlet is compatible with ISO4 Bolted pump outlet. on demand Output can also be provided with SAE -B / BB / -C, Keyed Shaft and Coupling. Activation/deactivation via hydraulic control mechanism is provided. The lubrication system is provided by oil taken from the main transmission. There is no need to add oil to the PTO afterwards.

HİDROLİK POMPA ve ARA ŞANZİMAN PTO İMALAT SAN.LTD.ŞTİ.

AOS. 1. OSB. Erkunt Cad. No: 6 Sincan / ANKARA

Tel.+90 312 267 39 71-Fax +90 312 267 38 72

info@kozmaksan.com.tr

Website: www.kozmaksan.com.tr-2410



**TECHNICAL VALUES**

	MAX VALUES	RATIO	WORKING RPM RANGE (MAX)
①	700 Nm / 516 lbs.ft	1,21	2500

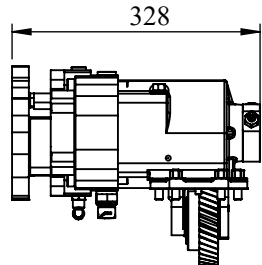
\* Output Power ; The rpm and output power may vary. Contact Kozmaksan for exact working values.

Optimum Working Temperature	25-80°C	WEIGHT	17,5 Kg / 38,6 lbs
Short-term Working Temperature	80-90°C	BODY MATERIAL	GE GJS-400-15 US 65-42-42 TR GGG-50
Risky Working Temperature	OVER 90°C	OIL TYPE & AMOUNT	-

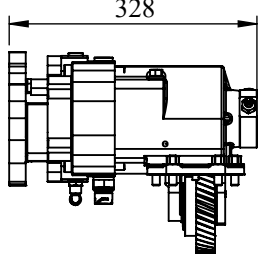
**Output Options**

**AKP.ISO.4-SAE-B.Z-13**

Connection Type	ISO-->SAE-B
Kw-Nm Values	25Kw - 239Nm



328



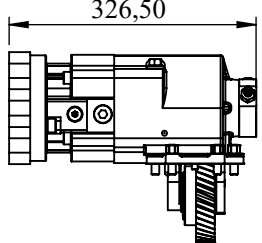
328

**AKP.ISO.4-SAE-BB.Z-15**

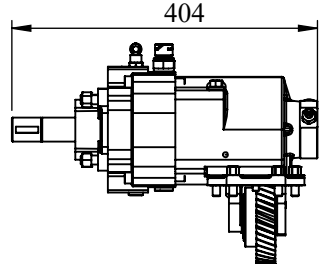
Connection Type	ISO-->SAE-BB
Kw-Nm Values	27Kw - 258Nm

**KIT.ISO.SAE-C**

Connection Type	ISO-->SAE-C
Kw-Nm Values	40Kw - 382Nm



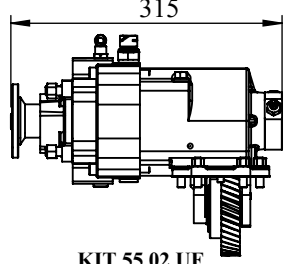
326,50



404

**KIT.ISO.KAMA**

Connect Type	ISO-->KEY SHAFT(1 1/4")
Kw-Nm Values	32Kw - 305Nm



315

**KIT.55.02.UF**

Connection Type	ISO-->UF
Kw-Nm Values	48Kw - 458Nm

<b>C06-247</b>
ISO 7647-SAE 1300x4x10

<b>C06-247-1</b>
ISO 7646-100x6x8

<b>C06-247-2</b>
ÖZEL

HİDROLİK POMPA ve ARA ŞANZİMAN PTO İMALAT SAN.LTD.ŞTİ.

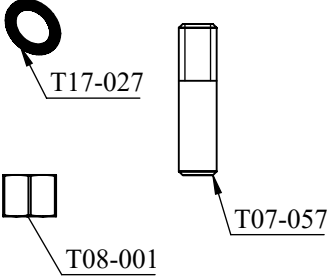
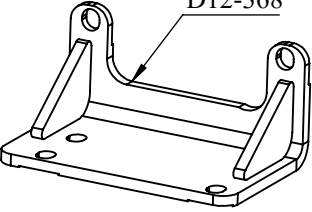
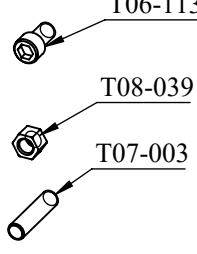
AOS. 1. OSB. Erkunt Cad. No: 6 Sincan / ANKARA

Tel.+90 312 267 39 71-Fax +90 312 267 38 72

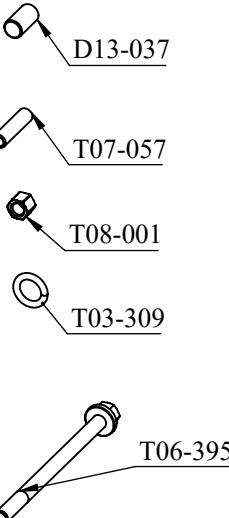
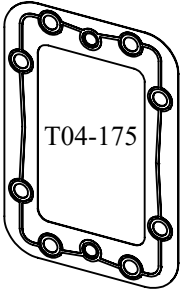
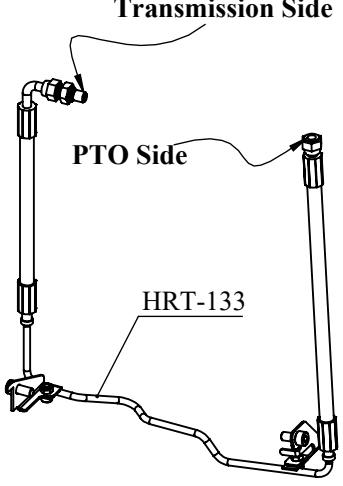
info@kozmaksan.com.tr

Website: www.kozmaksan.com.tr-2410

**Standart Installation Kit**
**Bracket Mounting Part**

			<table border="1"> <thead> <tr> <th></th> <th>Code</th> <th>Qty</th> </tr> </thead> <tbody> <tr><td>1</td><td>T17-027</td><td>3</td></tr> <tr><td>2</td><td>T08-001</td><td>3</td></tr> <tr><td>3</td><td>T07-057</td><td>3</td></tr> <tr><td>4</td><td>D12-368</td><td>1</td></tr> <tr><td>5</td><td>T06-113</td><td>2</td></tr> <tr><td>6</td><td>T08-039</td><td>4</td></tr> <tr><td>7</td><td>T07-003</td><td>4</td></tr> </tbody> </table>		Code	Qty	1	T17-027	3	2	T08-001	3	3	T07-057	3	4	D12-368	1	5	T06-113	2	6	T08-039	4	7	T07-003	4
	Code	Qty																									
1	T17-027	3																									
2	T08-001	3																									
3	T07-057	3																									
4	D12-368	1																									
5	T06-113	2																									
6	T08-039	4																									
7	T07-003	4																									

**Main Mounting Part**

			<table border="1"> <thead> <tr> <th></th> <th>Code</th> <th>Qty</th> </tr> </thead> <tbody> <tr><td>8</td><td>T04-175</td><td>1</td></tr> <tr><td>9</td><td>D13-037</td><td>2</td></tr> <tr><td>3</td><td>T07-057</td><td>6</td></tr> <tr><td>2</td><td>T08-001</td><td>6</td></tr> <tr><td>10</td><td>T03-309</td><td>2</td></tr> <tr><td>11</td><td>T06-395</td><td>2</td></tr> <tr><td>12</td><td>HRT-133</td><td>1</td></tr> </tbody> </table>		Code	Qty	8	T04-175	1	9	D13-037	2	3	T07-057	6	2	T08-001	6	10	T03-309	2	11	T06-395	2	12	HRT-133	1
	Code	Qty																									
8	T04-175	1																									
9	D13-037	2																									
3	T07-057	6																									
2	T08-001	6																									
10	T03-309	2																									
11	T06-395	2																									
12	HRT-133	1																									

No	Code	Description
1	T17-027	M10 WASHER CATRE
2	T08-001	M10 REINFORCED NUT 8*8
3	T07-057	M10X40 STUD
4	D12-368	ZF.08.AP.ISO Under-bracket
5	T06-113	M12X20 IMBUS BOLT
6	T08-039	M12 STEEL NUT (REINFORCED H: 12 MM)
7	T07-003	M12X50 STUD
8	T04-175	ZF.08.AP CONTACT
9	D13-037	Ø8x15 PAD CENTERING PIN
10	T03-309	10x2.62 O-RING
11	T06-395	M10x1.5x140 CAP BOLT
12	HRT-133	7/16" - 7/16" ZF 08 AP AUXILIARY (RIGHT) OIL HOSE